

**i**

MICRO

TITAN

TPH

TPS

TPSP

TPF

TPK

TPC

TPCT

TPB

TPR

TPA

TPG

TPSR

TPSRs

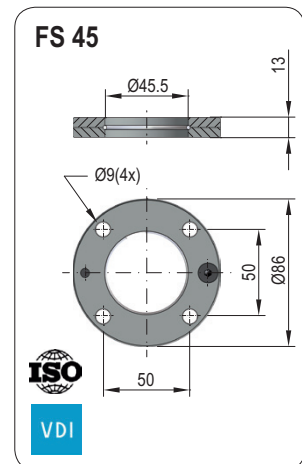
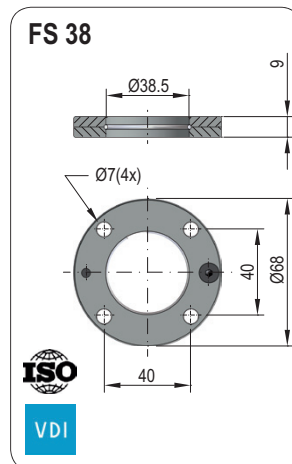
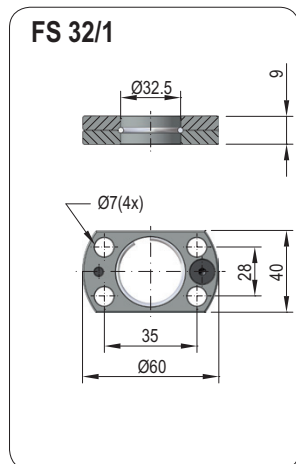
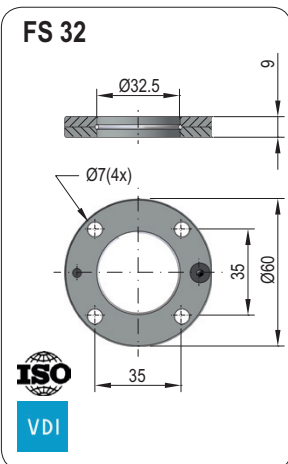
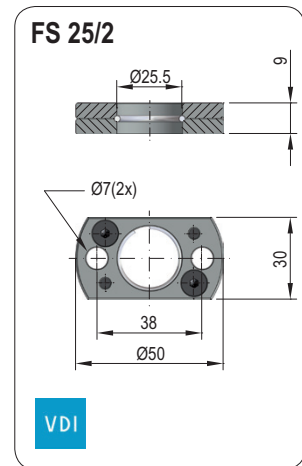
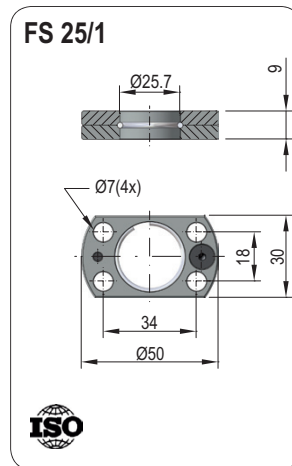
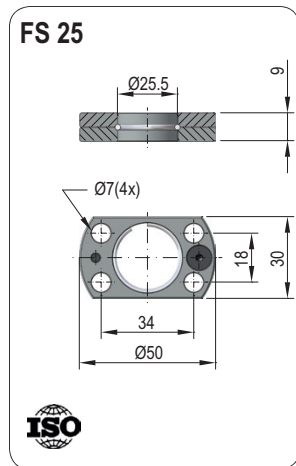
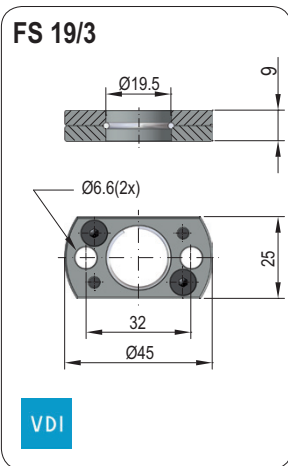
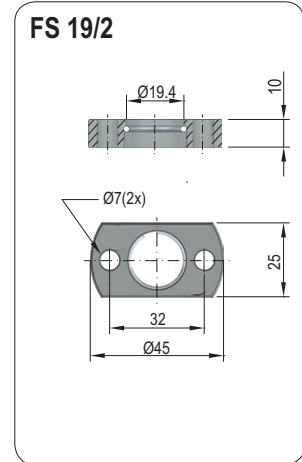
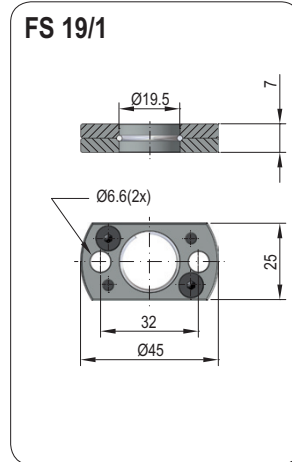
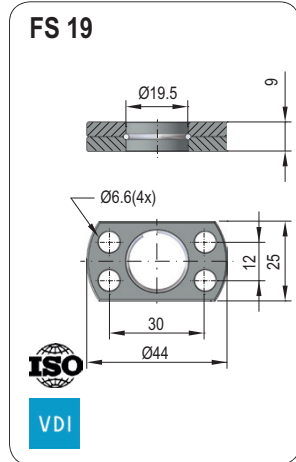
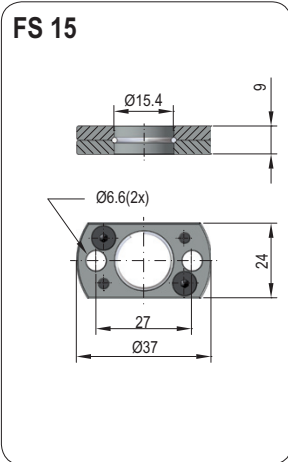
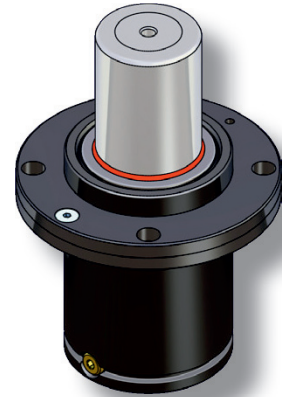
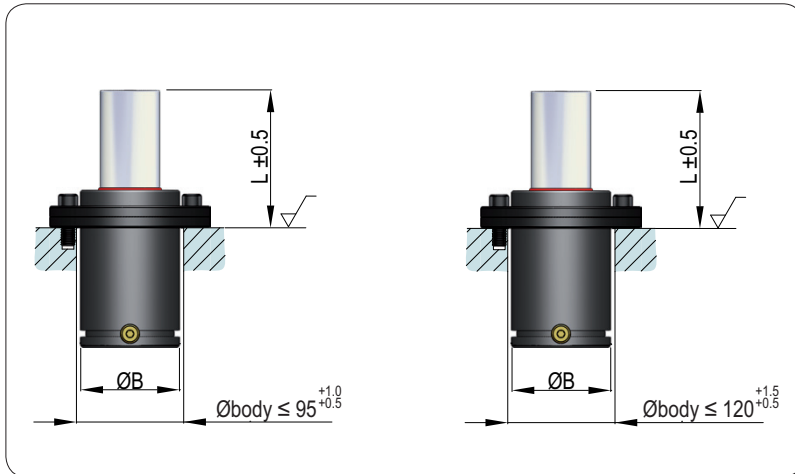
TPNS

STOP  
CYLINDER

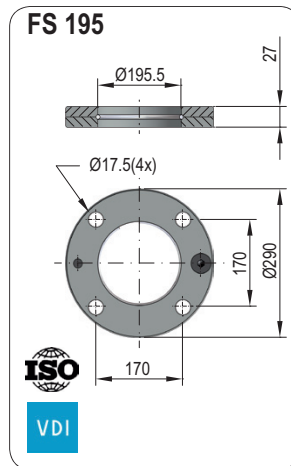
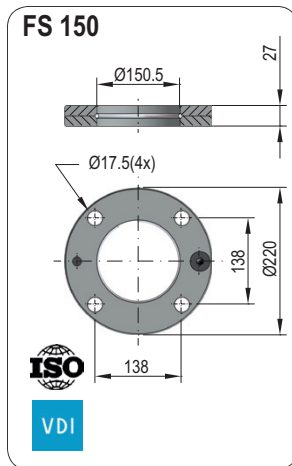
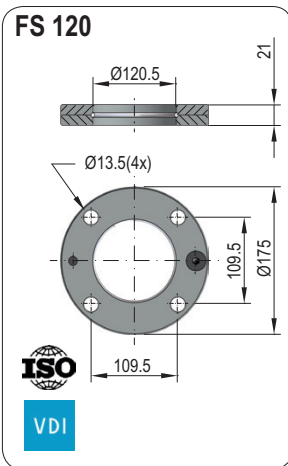
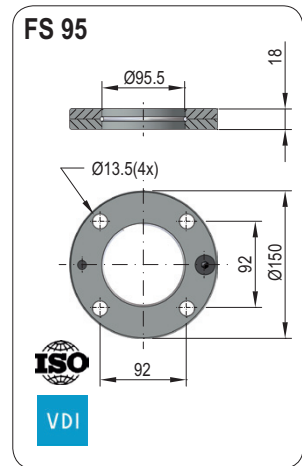
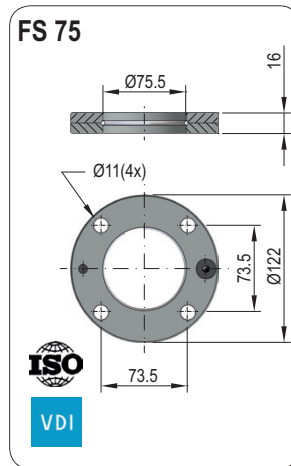
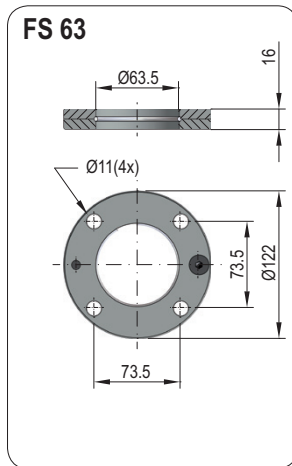
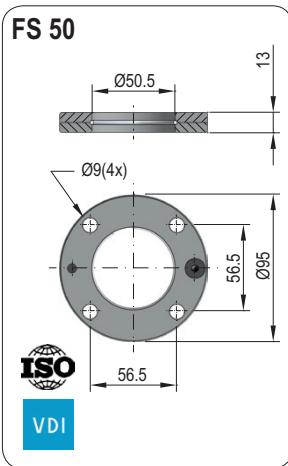
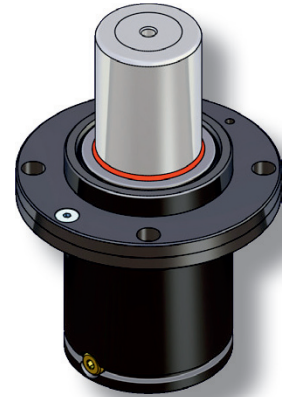
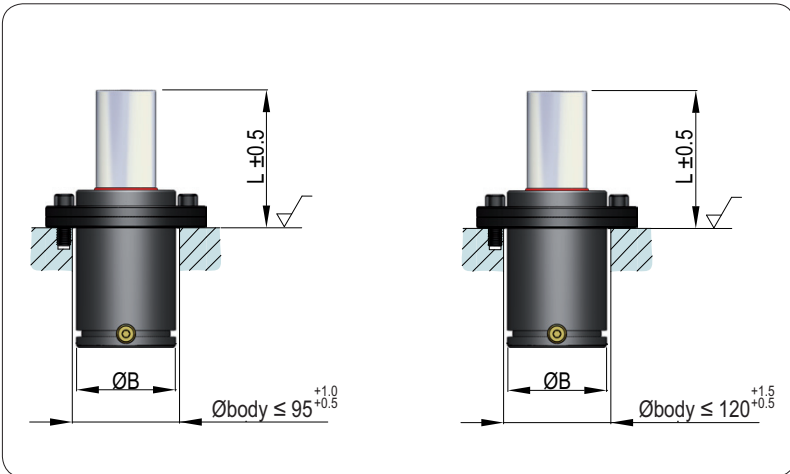
HOT  
FORMING

TPHT

TPSL



TPGAS 07-01-2018



TPGAS 07-01-2018

